



Powerware®

9125

4-Post Rail Kit

For use with Two-in-One
5000/6000 VA Models

INSTALLATION INSTRUCTIONS

www.powerware.com

POWERWARE®

Powerware is a registered trademark of Powerware Corporation.

© Copyright 2003 Powerware Corporation, Raleigh, NC, USA. All rights reserved. No part of this document may be reproduced in any way without the express written approval of Powerware Corporation.

Rail Kit Installation

The UPS rail kit can be mounted in 19-inch panel racks from 24 to 30 inches deep and includes:

- ▶ Left and right adjustable rail assemblies
- ▶ Two rear hold-down brackets
- ▶ Two mounting brackets
- ▶ Four U-shaped #10-32 clip nuts
- ▶ Twelve hex-head screws
- ▶ Four #6-32 × 3/8" flat-head screws



NOTE *Mounting rails are required for each individual cabinet.*

NOTE *The UPS and any optional cabinets MUST be installed at the bottom of the rack. If placed in a rack with existing equipment, the rack must be reconfigured to allow the UPS installation at the bottom of the rack.*

Installing the UPS Rail Kit

The following steps explain how to install the UPS rail kit.

1. Loosen the assembly wing nuts on both rail assemblies and adjust the rail size for the depth of your rack (see Figure 1).

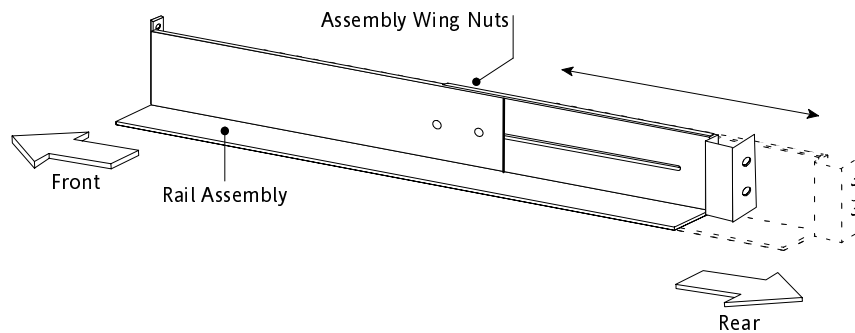


Figure 1. Adjusting the Rail Depth

2. Select the proper holes in the rail for positioning the UPS and any optional cabinets in the rack.

The first rail should be placed at the bottom, using position 1 and 6 for the front hex-head screws. If you are installing additional rails, the next rail should be placed 4 holes above the last installed screw (see Figure 2).

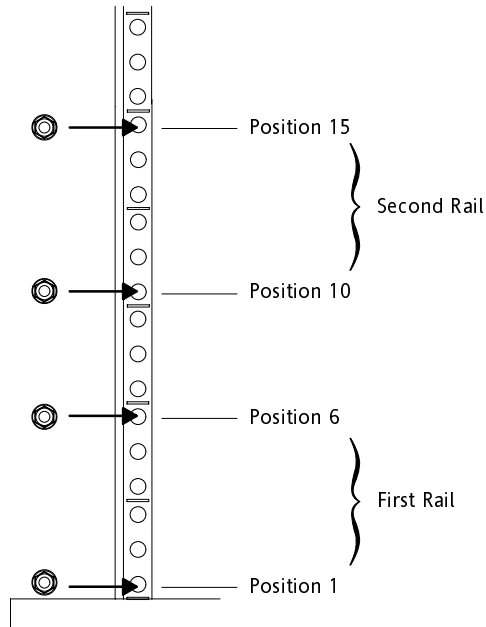


Figure 2. Front Rail Screw Positions

3. Secure the rail to the front of the rack with two hex-head screws (see Figure 3).

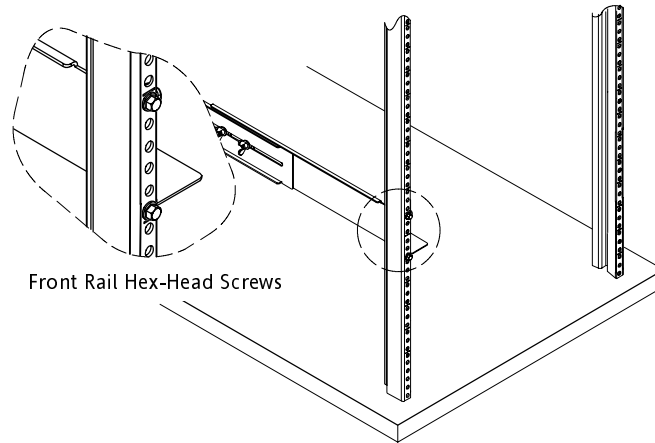


Figure 3. Securing the Front Rail

4. Using two clip nuts and two hex-head screws, attach the rail to the rear of the rack (see Figure 4 and Figure 5).

The bottom rail uses position 2 and 4 for the rear hex-head screws. If you are installing additional rails, the next rail should be placed 7 holes above the last installed screw.

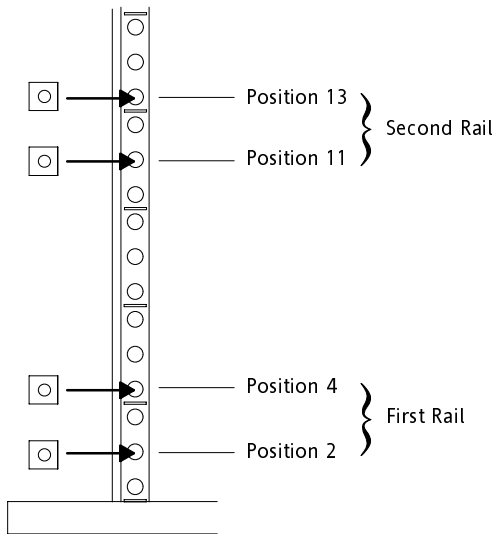


Figure 4. Rear Rail Screw Positions

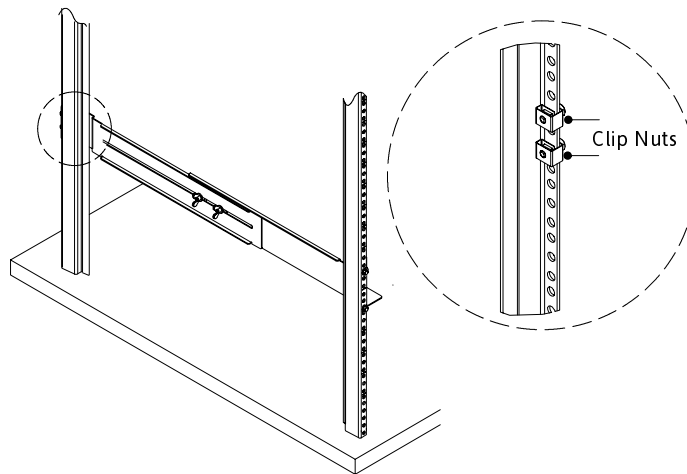


Figure 5. Securing the Rear Rail

5. Repeat Steps 3 and 4 for the other rail.
6. Tighten assembly wing nuts on both rail assemblies.

7. Place the UPS on a flat, stable surface with the front of the UPS facing toward you.
8. Align the mounting brackets with the screw holes on the side of the UPS and secure with the supplied #6-32 × 3/8" flat-head screws (see Figure 6).
9. If installing an optional PowerPass Distribution Module (PDM) or Extended Battery Modules (EBMs), repeat Steps 7 and 8 for each cabinet.

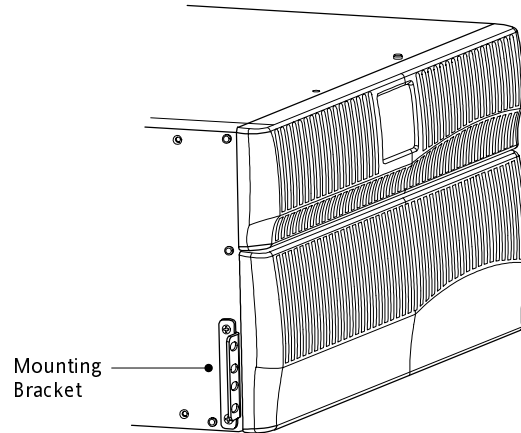


Figure 6. Installing the Mounting Brackets

CAUTION



The UPS chassis (82 lb/37.2 kg), EBM (169 lb/76.7 kg), and PDM (106 lb/48 kg) are heavy. A minimum of two people are required to lift the UPS into the rack.



NOTE The EBMs must be installed below the UPS as shown in Figure 7. The PDM must be installed between the UPS and EBM.

10. Slide the UPS and any optional cabinets into the rack.

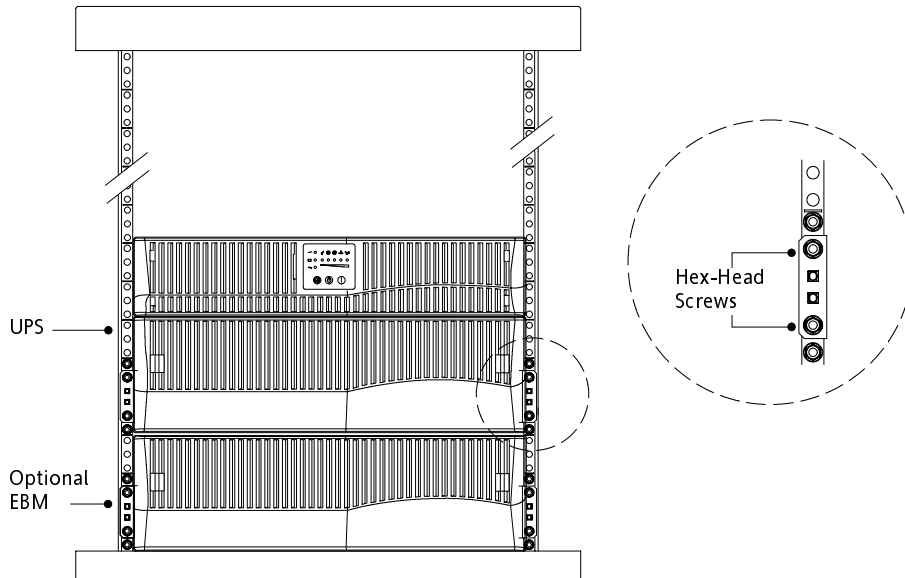


Figure 7. Securing the Mounting Brackets

11. After installing the UPS chassis, secure the front of the UPS to the rack using two hex-head screws in the top and bottom positions of each mounting bracket (see Figure 7). Repeat for each cabinet.

12. Attach the rear hold-down bracket to the rail and slide the bracket into the slots on the UPS rear panel.

Be sure the rear hold-down bracket is fully seated and then tighten the wing nut. The UPS is now secured in the rack.

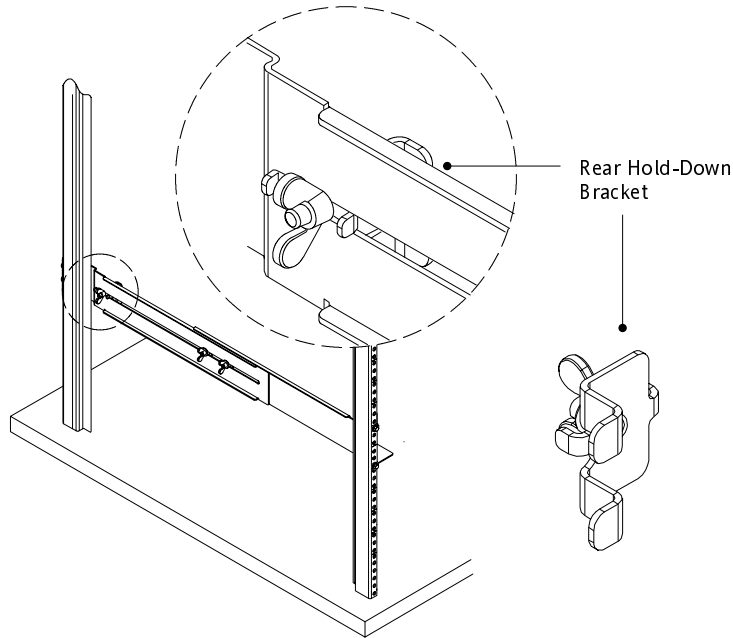


Figure 8. Securing the Back of the UPS

13. Continue to “Installing the Internal Batteries” in the UPS user’s guide.

